

# Cisco Room Kit EQX



# Contents

04	Product overview
08	Product features and benefits
10	Product specifications
22	Product dimensions
28	Feature availability matrix
31	Ordering information
38	Warranty information
38	Cisco environmental sustainability
39	Cisco Capital



**Cisco® Room Kit EQX is an intelligent, integrated collaboration device solution that combines an AI-infused video conferencing system with flexible mounting options and iconic design to enable a flagship video meeting experience in your medium-to-large meeting rooms and collaboration spaces.**

It gives the flexibility to bring your own external displays and integrate them with an all-in-one, purpose-built kit of room conferencing hardware components. What's more, the Room Kit EQX helps you simplify meeting room video deployment, configuration and management at scale while keeping your room setup clutter-free with a premium look and feel.

This all-in-one bundle brings you unrivalled multi-platform collaboration on Cisco RoomOS or Microsoft Teams Rooms to let you define your preferred native software experience while meeting the ultimate hybrid meeting room standard across your workspaces.

## Product overview

Cisco Room Kit EQX is an intelligent, ultra-immersive video conferencing system powered by Cisco RoomOS and designed to enable flagship hybrid meeting experiences in any medium or large collaboration space. It sets a new standard for multi-screen video collaboration with an integrated and premium design that brings a blend of next-generation meeting hardware and advanced collaboration AI to help your teams stay focused and productive.

This intelligent room device solution scales artificial intelligence-powered video meeting experiences, room deployment flexibility, platform interoperability, and workspace intelligence to elevate video conferencing in meeting spaces where the highest hybrid video conferencing standards and consistent, premium room setup are expected.

Video-enable your conference rooms with a room kit that's easy to deploy, engaging to use, and more affordable to maintain—creating a connected, intelligent workplace.

### AI-enhanced, cinematic video meetings

The Room Kit EQX offers AI-infused meeting experiences that allow meeting participants to communicate with clarity, feel included, and stay focused—and not distracted by the technology deployed in the workspace. This hardware offering uses a high-performing NVIDIA® AI engine to power next-generation camera, audio and language processing intelligence to enable more engaging and equitable meetings.

**Figure 1.** The Cisco Room Kit EQX with wall mount module running the native Microsoft Teams Rooms experience in a conference room.





**Figure 2.** The Cisco Room Kit EQX wall-mount model deployed in a training room combined with external PTZ cameras for a cinematic cross-view experience.

It uses a quad-lens conferencing camera system and powerful image processing for extended camera reach, impeccable image quality, and AI people framing to provide the best view from your conference rooms, auditoriums, or training rooms. Its 83-degree-field-of-view main image sensor works seamlessly together with three, 50-degree-field-of-view tele-lenses to keep everyone perfectly framed around the table, from a hybrid event audience, or any predefined meeting zone area. Better still, it's a room device that supports advanced multi-camera scenarios to offer extended speaker tracking, intelligent presenter and audience views, and cinematic cross-view to create natural, true-to-life collaboration.

This is augmented with a unique spatial audio experience, powered by an advanced, multi-channel sound system, that intelligently follows where the remote active speaker is displayed on the screens. Combined with leading AI noise removal and smart audio processing, the Room Kit EQX supports supreme-quality acoustic experiences for in-room and remote participants alike.

## Equip any medium and large meeting room for hybrid work

The Room Kit EQX seamlessly and securely connects with your external displays, conferencing microphones, speakers, control panels, and other room accessories to help elevate the room experience. Users can easily connect the system with up to four video and content sources via HDMI and USB-C or connect a laptop via single-cable USB passthrough to enable effortless switching to BYOD mode.

The solution seamlessly connects with analog, USB and networked audio peripherals, including the Cisco Table Microphone Pro to provide multi-directional, intelligent voice capture in collaboration spaces with different sizes, shapes, and layouts. In addition, the Room Kit EQX offers audio APIs for advanced room configurations, and the flexibility to integrate your third-party, digital microphones with the video device via AES67 audio interoperability.



**Figure 3.** The Room Kit EQX wall-mount model deployed in a medium meeting space

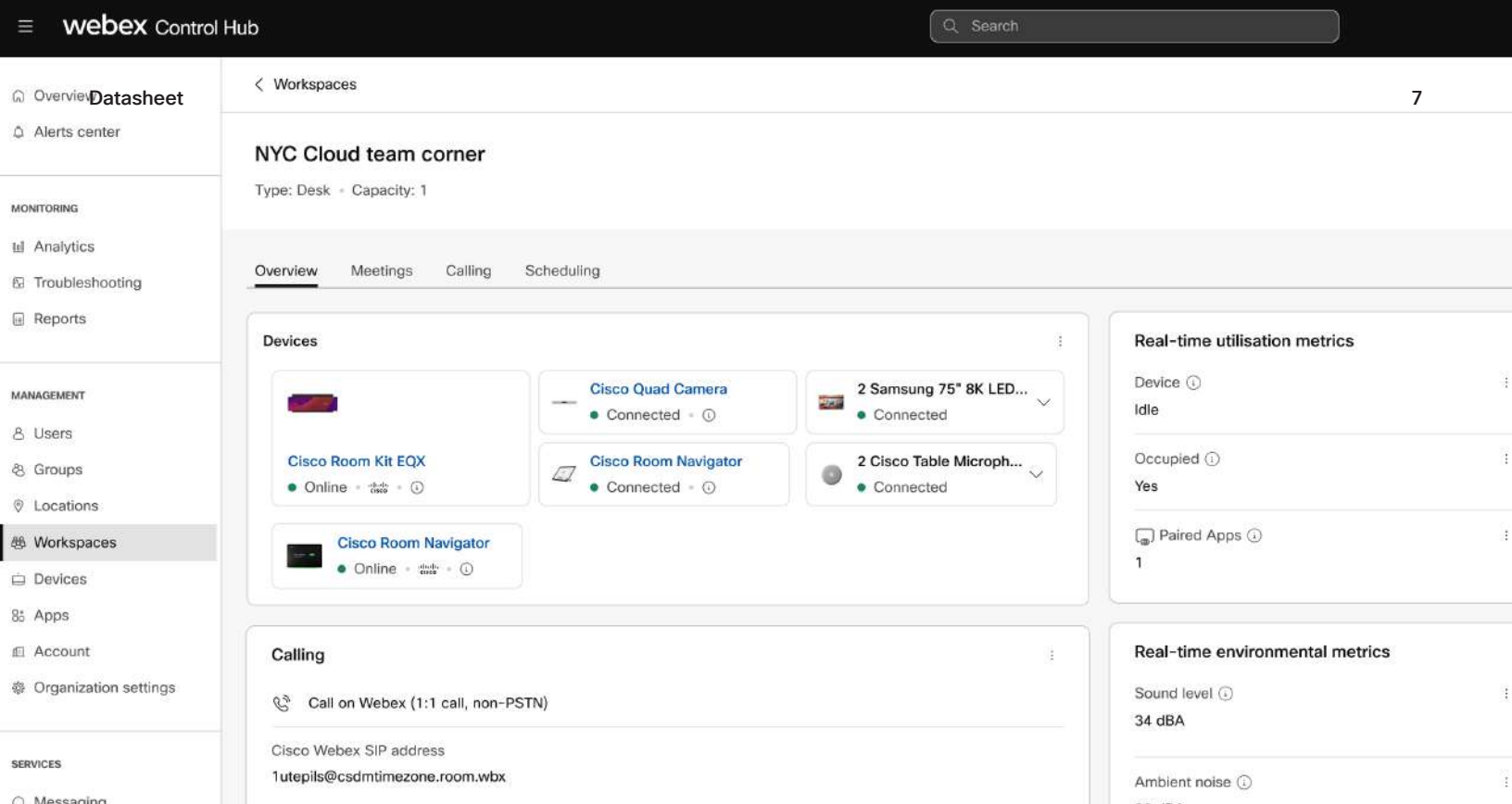
It provides flexible wall-mount, wall-stand, and floor-stand options to fit any meeting space and collaboration use case, while featuring a main module to provide mounting and bracket for all your AV components, screens, and cabling for streamlined room installation and a clean, unobtrusive setup. This not only helps you remove the need for overly complex configuration, redundant screens and AV components, and costly maintenance but also allows to deploy high-quality, standardized conferencing hardware without the complexity.

### **Get unrivalled video interoperability**

Cisco Room Kit EQX is a dedicated, flexible room appliance running the native Cisco RoomOS or Microsoft Teams Rooms on Android experience with a single solution and powered by a secure platform architecture. It is the most advanced video system designed for medium and large-sized spaces, uniquely delivering these native experiences.

When configured for Cisco RoomOS, it powers the native Webex experience for the richest meeting and workspace experience combined with advanced third-party interoperability with Microsoft Teams, Zoom and Google Meet.

In case you configure and onboard the device for Microsoft Teams Rooms, it offers a set of differentiated camera and audio intelligence capabilities, advanced collaboration AI, and rich wired and wireless content sharing. It is unique in providing the option to combine Microsoft Teams with the power of full-featured Webex Meetings and Events.



**Figure 4.** A Room Kit EQX room deployment displayed in the unified Control Hub device and workspace management dashboard.

## Keep your devices and spaces under control

With Control Hub, your IT team can fully manage, monitor, troubleshoot, and analyze your deployment using a single, intuitive admin dashboard. It offers an at-a-glance view of video devices and Cisco or third-party peripherals, usage and occupancy metrics, device health, integrations, and workspace conditions.

Bulk configurations, automatic software upgrades, multi-tenant management, cloud APIs, and device sensor-driven insights are all centrally accessible and can be augmented with the broader Cisco ecosystem to support your broader workspace management and network security and monitoring efforts.

The solution comes with the award-winning Cisco Room Navigator touch device so that your users can easily access conference controls, device settings, room booking, and third-party workspace experience apps. The control panel includes rich built-in sensors enabling augmented intelligence in Control Hub around real-time and historic device usage, room occupancy, and environmental conditions.

# Product features and benefits

Table 1. Specifications

BENEFIT	FEATURE
<p><b>AI-infused, cinematic video meetings</b></p>	<ul style="list-style-type: none"> <li>• Supreme-quality, immersive video conferencing system optimized for medium and large workspaces, including conference rooms, boardrooms, trainings rooms, and auditoriums</li> <li>• Integrated device bundle featuring the Codec EQ with an AI chipset, a quad-lens conferencing camera system, flexible mounting options, premium frame design, and optional room peripherals</li> <li>• Integrated 80 MP, multi-lens camera system with intelligent speaker tracking and camera framing techniques, combined with sophisticated camera AI for optimized group, speaker and participant views</li> <li>• Spatial, room-filling sound powered by a 6-element, multi-channel loudspeaker system, dedicated bass module and amplifier</li> <li>• Platform independence to run the native, Webex-first Cisco RoomOS experience or Microsoft Teams Rooms (coming soon) with single-button meeting join and advanced intelligence features. Advanced third-party video interoperability with Microsoft Teams, Google Meet and Zoom when the device is configured to run Cisco RoomOS</li> <li>• Supporting multi-camera scenarios with optional PTZ and conferencing cameras for extended speaker view, cross-view and intelligent presenter tracking</li> <li>• Embedded AI noise removal and noise-cancelling Cisco microphone options to enable distraction-free meetings for remote participants</li> <li>• A variety of content sharing options via cable (HDMI, USB-C) or wirelessly (Webex, Miracast, Apple AirPlay)</li> <li>• Meeting zones to create virtual meeting barriers in the workspace to just capture and frame meeting participants in glass-walled and open spaces</li> <li>• Uses ultrasound technology to automatically wake up the device when someone walks into the room, and recognizes them through their mobile device</li> </ul>
<p><b>Flexible design</b></p>	<ul style="list-style-type: none"> <li>• Flexible mounting options (wall-mount, wall-stand, floor stand to deploy as a free-standing unit) to support different room characteristics, room layouts, and use cases</li> <li>• Main module with purpose-built bracket for AV components and cabling for a clutter-free setup</li> <li>• The Codec EQ, the audio system, other peripherals and wiring are all hidden behind the screens and AV housing to remove distracting tech components from the workspace</li> <li>• Immersive video conferencing system, mounting and design bundled into a high-quality, single-vendor hardware solution</li> <li>• Standardized product design and simplified architecture to help take the complexity out of installation, configuration and maintenance</li> <li>• Works with external displays with flexible VESA mounting between 65” and 75” that can be adjusted to help ensure the screens are perfectly aligned</li> <li>• Clean, premium design with durable and consciously chosen materials for a sustainable and elegant meeting room product</li> </ul>



Table 1. Specifications

BENEFIT	FEATURE
<p><b>Smart integrations</b></p>	<ul style="list-style-type: none"> <li>• Automatic screen/display integration through HDMI CEC, connects with dual external displays between 65” and 75” in the main module, and a third external display.</li> <li>• Provides tested and validated quality, performance and security with Cisco Collaboration Device Verified displays, cameras, microphones and other room accessories.</li> <li>• Supports 4x content and camera sources over HDMI and USB-C</li> <li>• Connect your laptop with the video system via a single USB-C to use the camera, microphones, and speakers of the device for an instant BYOD experience</li> <li>• Connects with Cisco and third-party conferencing microphones, including the Cisco Table Microphone Pro digital audio device.</li> <li>• Connects with Cisco and third-party cameras for multi-camera, cinematic meetings, extended speaker view, presenter tracking, and multi-camera cross-view</li> <li>• Supports Wi-Fi and Bluetooth® (Not available on Non Radio Version)</li> <li>• Comes with the Cisco Room Navigator for Table touch panel to control the video conference, control room peripherals, and run third-party workspace apps</li> <li>• Supports connectivity with Cisco Room Navigator for Wall to add a room booking, scheduling, and room availability display to any meeting room</li> </ul>
<p><b>Centralized management</b></p>	<ul style="list-style-type: none"> <li>• Unified management, provisioning, monitoring, troubleshooting, analytics, and workspace insights in Control Hub</li> <li>• Secure OS purpose-built for collaboration</li> <li>• Flexibility to register on-premises or in the Webex Cloud</li> <li>• Hardware is optimized to run on a cloud platform for great experiences in shared rooms and spaces with easy access to hosted conferences</li> <li>• Offers macros and UI extensions for custom room experiences</li> <li>• Smooth integration with the rest of the Cisco ecosystem (Cisco Meraki, Cisco Spaces, Cisco ThousandEyes)</li> </ul>



Figure 5. The wall-mount, wall-stand and floor-stand models of Room Kit EQX.

## Product specifications

Table 2. Product specifications

SPECIFICATION	DESCRIPTION
<b>Platform compatibility</b>	<ul style="list-style-type: none"> <li>• RoomOS 11.9.2 and later (for native Webex meetings and video interoperability for Microsoft Teams, Zoom, and Google Meet)</li> <li>• Microsoft Teams Rooms (also featuring native Webex meetings when registered in Control Hub)</li> </ul>
<b>Available solutions</b>	<ul style="list-style-type: none"> <li>• Cisco Room Kit EQX Wall Mount Version</li> <li>• Cisco Room Kit EQX Floor Stand Version</li> <li>• Cisco Room Kit EQX Wall Stand Version</li> </ul>
<b>Default components in Cisco Room Kit EQX in Carbon Black</b>	<ul style="list-style-type: none"> <li>• Integrated video conferencing system including:                             <ul style="list-style-type: none"> <li>• Cisco Codec EQ (radio or non-radio options)</li> <li>• Cisco Quad Camera (integrated version)</li> <li>• Cisco Natural Audio Module IV (amplifier)</li> <li>• 6 x loudspeakers</li> <li>• 1 x bass unit</li> </ul> </li> <li>• Cisco Room Navigator (Table Stand, First Light)</li> <li>• Mounting unit (wall-mount option by default)</li> <li>• Power adapters</li> <li>• Ethernet cable (for Room Navigator, 12 m)</li> <li>• Other internal cabling between the default components</li> </ul>

Table 2. Product specifications

SPECIFICATION	DESCRIPTION
<p><b>Optional hardware components</b></p>	<ul style="list-style-type: none"> <li>• Cisco PTZ 4K Camera</li> <li>• Cisco Precision 60 Camera</li> <li>• Cisco Room Navigator (Table Stand)</li> <li>• Cisco Room Navigator (Wall Mount)</li> <li>• Cisco Table Microphone</li> <li>• Cisco Ceiling Microphone</li> <li>• Cisco Table Microphone Pro</li> <li>• Cisco Active Optical USB-C Cable, 9m / 29.5ft</li> <li>• Cisco Multi-head Cable 4K (9 m or 2 m; HDMI/USB-C/MicroDP to HDMI)</li> <li>• HDMI presentation cable (8 m / 26.2 ft)</li> <li>• Other cable and peripheral options (see Ordering information)</li> </ul>

---

<p><b>Camera overview</b></p>	<ul style="list-style-type: none"> <li>• 4x CMOS image sensors with machine intelligent switching and up to 20 MP resolution per lens</li> <li>• The camera generates frames from the 4 sensors simultaneously to provide a single HD output at 1080p</li> <li>• Support up to 60 fps</li> <li>• 1/1.7 CMOS</li> <li>• 7.6x overall zoom (1.9x optical zoom and 4x digital zoom)</li> <li>• f/2.0 aperture</li> <li>• 83° horizontal field of view on the main wide-angle lens</li> <li>• 50° horizontal field of view on the 3x tele-lenses</li> <li>• Automatic group framing (audio + face detect)</li> <li>• Speaker tracking</li> <li>• Frames camera mode: intelligent people framing for equitable views</li> <li>• 5056 x 3888 pixel resolution</li> <li>• Auto focus, brightness, and white balance</li> <li>• Focus distance 1 m to infinity</li> </ul>
-------------------------------	---

---

Table 2. Product specifications

SPECIFICATION	DESCRIPTION
<b>Bandwidth</b>	<ul style="list-style-type: none"> <li>• Up to 20 Mbps point-to-point</li> <li>• Minimum bandwidth:                             <ul style="list-style-type: none"> <li>• 720p30 from 768 kbps</li> <li>• 720p60 from 1152 kbps</li> <li>• 1080p30 from 1472 kbps</li> <li>• 1080p60 from 2560 kbps</li> </ul> </li> <li>• 1920 x 1080 at 60 fps from 2560 kbps</li> </ul>
<b>Firewall traversal</b>	<ul style="list-style-type: none"> <li>• Cisco Expressway™ technology</li> <li>• H.460.18, H.460.19 firewall traversal</li> </ul>
<b>Video standards</b>	<ul style="list-style-type: none"> <li>• H.264, H.265, and H.263</li> </ul>
<b>Video inputs</b>	<ul style="list-style-type: none"> <li>• 1x USB-C input supports formats up to maximum 3840 x 2160 at 30 fps. USB-C port has charging capability with a maximum of 15W power output</li> <li>• 3x HDMI 1.4b inputs support formats up to maximum 3840 x 2160 at 30 fps including 1920 x 1080 at 60 fps; support for HDCP 1.4 on 1x HDMI input</li> <li>• Extended Display Identification Data (EDID)</li> <li>• Consumer Electronics Control (CEC) 2.0</li> </ul>
<b>Video outputs</b>	<ul style="list-style-type: none"> <li>• 3x HDMI 2.0 outputs support formats up to 3840 x 2160 at 60 fps to connect with external displays (displays are not included in the Room Kit EQX bundle)</li> <li>• 2 out of 3 HDMI outputs are meant for the screens mounted on the main module</li> <li>• Consumer Electronics Control (CEC) 2.0</li> </ul>
<b>Encode and decode</b>	<ul style="list-style-type: none"> <li>• Main video: 1920 x 1080 at 60 fps</li> <li>• Presentation channel: 3840 x 2160 at 15 fps</li> </ul>

Table 2. Product specifications

SPECIFICATION	DESCRIPTION
<b>Audio standards</b>	<ul style="list-style-type: none"> <li>• G.711, G.722, G.722.1, G.729, AAC-LD, Opus, and LPCM</li> </ul>
<b>Audio features</b>	<ul style="list-style-type: none"> <li>• Spatial Audio</li> <li>• Prepared for inductive loop (line out)</li> <li>• Acoustic Echo Cancellation (AEC)</li> <li>• Active Lip Synchronization</li> <li>• AI-Powered Noise Removal</li> <li>• Automatic Gain Control (AGC)</li> <li>• Adjustable gain on all external connectors</li> <li>• Full Duplex</li> <li>• Self-Hear testing</li> <li>• Ultrasound Technology</li> <li>• 8-element microphone array for accurate speaker tracking</li> </ul>
<b>Audio customization with AV Integrator License</b>	<ul style="list-style-type: none"> <li>• Flexible mixing of physical and software defined audio I/O</li> <li>• Eight assignable equalizer curves with six parametric sections</li> <li>• Macro scriptable VUmeters for assessing audio levels pre or post AEC</li> <li>• Connection with up to 8 Cisco Microphone Pro units or third-party microphones via AES67 (requires PoE compatible switch eg. CBS250, CBS350, and C1200)</li> </ul>
<b>Audio inputs</b>	<ul style="list-style-type: none"> <li>• 3x external microphones via 4-pin mini-jack analog audio input</li> <li>• Embedded audio on 2x HDMI inputs and 1x USB-C input</li> <li>• 4x ethernet ports for audio over IP</li> <li>• Up to eight networked Cisco Microphone Pro units or third-party digital microphones via AES67 can be connected to the ports using a PoE compatible switch, eg. CBS250, CBS350 and C1200. Connecting more than three IP microphones requires the Room Kit EQ AV Integrator license (under "L-ROOM-PAK").</li> <li>• USB-A interface for connecting a DSP or a USB microphone</li> </ul>

Table 2. Product specifications

SPECIFICATION	DESCRIPTION
<b>Audio outputs</b>	<ul style="list-style-type: none"> <li>• 1 analog line out mini-jack (stereo)</li> <li>• Embedded audio on all HDMI output (Available with Audio Console)</li> <li>• HDMI input #1 supports Audio Return Channel (ARC): Audio output to Quad Camera</li> <li>• USB-A interface for connecting a DSP or a USB audio device</li> <li>• USB-C port for BYOD experience</li> <li>• Connectivity with third-party audio systems via AES67</li> </ul>
<b>Loudspeakers</b>	<ul style="list-style-type: none"> <li>• High-quality, multi-channel loudspeaker system with six coaxial speakers and a compact folded bass horn.</li> <li>• Supports directional audio experience that follows where the active remote speaker displayed on the screens.</li> <li>• Dedicated bass module, and amplifier for a rich, room-filling sound</li> <li>• Max output level: 105 dBSPL</li> <li>• High-quality 20kHz full-band audio</li> <li>• Frequency response: 45Hz to 20kHz</li> </ul>
<b>Camera modes</b>	<ul style="list-style-type: none"> <li>• Group view: Automatically detects meeting participants and provides ideal group framing for the best view</li> <li>• Speaker view: Uses a dedicated, built-in microphone array to detect and provide a prominent view for the active speaker</li> <li>• Frames: Captures a condensed view of in-room participants and frames them individually or in smaller groups for more equitable meetings, on Webex and when using third-party meetings</li> </ul>
<b>Video stream layouts</b>	<ul style="list-style-type: none"> <li>• Supporting available Webex video stream layouts and meeting features, including focus, grid, prominent, stack, and overlay. For more information, please consult the <a href="#">Webex Help Center</a>.</li> <li>• People Focus helps create an optimized view of every participant in</li> <li>• Webex meetings via smart cropping to remove excess real estate</li> </ul>

Table 2. Product specifications

SPECIFICATION	DESCRIPTION
<p><b>Speaker tracking</b></p>	<ul style="list-style-type: none"> <li>• 8-element built-in microphone array for accurate speaker tracking</li> <li>• The camera system can support group framing and intelligent people framing feature with 5x zoom capability</li> <li>• For an optimal speaker-tracking experience for people joining remotely, it is recommended that the furthest in-room participant is located within less than 9 meters from the video device. Please note that the best overview (automatic group framing) camera mode can support an extended distance from the camera system.</li> <li>• Multi-camera speaker view (coming soon): allows for an extended camera reach by zooming on the active speaker and providing an optimal view in very long conference rooms with participants over 9 meters from the device. Requires the combined deployment of the Room Kit EQX, the Cisco PTZ 4K Camera, and Cisco Table Microphone Pro units for the extended, directional voice capture.</li> </ul>
<p><b>Presenter tracking</b></p>	<ul style="list-style-type: none"> <li>• Requires connection with the Cisco PTZ 4K Camera or the Precision 60 Camera</li> <li>• AI-powered face and upper-body detection capability</li> <li>• Camera automatically follows the local presenter within a defined zone and helps ensure an optimized view</li> <li>• Cinematic presenter and audience view: AI-powered, intelligent framing and dynamic switching can be enabled with a combination of Room Kit EQX and the PTZ 4K Camera for more inclusive presentations and training sessions</li> </ul>
<p><b>Content stream</b></p>	<ul style="list-style-type: none"> <li>• H.239 (H.323) dual stream</li> <li>• Binary Floor Control Protocol (BFCP) (SIP) dual stream</li> <li>• Support resolutions up to 3840 x 2160 at 15 fps and 1920 x 1080 at 60 fps</li> </ul>
<p><b>Cisco Natural Audio Module IV (Amplifier)</b></p>	<ul style="list-style-type: none"> <li>• The Cisco Natural Audio Module IV is a 16-channel audio power amplifier integrated into the Room Kit EQX configuration</li> <li>• 1x 12V power input and 1x 12V power output. 1x amplifier power input (24VDC, 11.25A)</li> <li>• 1x Ethernet for audio streaming from the codec, and for control and software upgrades, 1000BASE-T</li> <li>• 16x speaker outputs for the Room Kit EQX loudspeakers and subwoofers (Bridged differential output on 3.5mm Euroblock connectors, max 25W / 8ohm at 0.1% THD per channel; &lt; 0.1% THD at all levels below clipping; 106 dB SNR; Max 200W total output power)</li> <li>• 4x analog line inputs (Differential input on 3.5mm Euroblock connectors; Max 24dBu input level; 106 dB SNR)</li> <li>• 3x fan outputs (for Room Kit EQX fan control)</li> <li>• Factory reset pinhole, microUSB for maintenance</li> </ul>

Table 2. Product specifications

SPECIFICATION	DESCRIPTION
<b>Wireless sharing</b>	<ul style="list-style-type: none"> <li>• Webex App (up to 3840 x 2160 at 7.5 fps)</li> <li>• Cisco Intelligent Proximity client (up to 1920 x 1080 at 3 fps)</li> <li>• Miracast (1920 x 1080 at 60 fps) – Not available on non-radio version.</li> <li>• Apple AirPlay wireless sharing:                             <ul style="list-style-type: none"> <li>• Bonjour service discovery only on non-radio version</li> <li>• Screen mirroring up to 1920 x 1080 at 60 fps.</li> <li>• Extended desktop (Mac only) – up to 1920 x 1080 at 60 fps.</li> <li>• Video streaming – up to 3840 x 2160 at 30 fps</li> </ul> </li> </ul>
<b>MultiSite features</b>	<ul style="list-style-type: none"> <li>• Adaptive SIP/H.323** MultiSite (embedded multipoint):                             <ul style="list-style-type: none"> <li>• 3-way resolution up to 1080p30 plus content up to 4Kp15 (optional upgrade)</li> <li>• 4 way resolution up to 720p30 plus content up to 4Kp15</li> <li>• 5-way resolution up to 720p30 plus content up to 4Kp15</li> </ul> </li> <li>• Full individual audio and video transcoding</li> <li>• H.323 (Cisco proprietary)/SIP/VoIP in the same conference/SIP/VoIP in the same conference</li> <li>• Support for presentation (H.239/BFCP) from any participant at resolutions up to 3840 x 2160 at 15 fps</li> <li>• Best Impression (automatic continuous presence layouts)</li> <li>• Encryption and dual stream from any site</li> </ul>
<b>Protocols</b>	<ul style="list-style-type: none"> <li>• H.323</li> <li>• SIP</li> <li>• Webex</li> <li>• WebRTC</li> </ul>
<b>Embedded encryption</b>	<ul style="list-style-type: none"> <li>• H.323 (Cisco proprietary) and SIP point-to-point</li> <li>• Standards-based: H.235 v3 and Advanced Encryption Standard (AES)</li> <li>• Automatic key generation and exchange</li> </ul>



Table 2. Product specifications

SPECIFICATION	DESCRIPTION
<p><b>IP network features</b></p>	<ul style="list-style-type: none"> <li>• DNS lookup for service configuration</li> <li>• Differentiated services (Quality of Service [QoS])</li> <li>• IP-adaptive bandwidth management (including flow control)</li> <li>• Automatic gatekeeper discovery</li> <li>• Dynamic playout and lip-sync buffering</li> <li>• H.245 Dual-Tone Multi-Frequency (DTMF) tones in H.323</li> <li>• RFC 4733 DTMF tones in SIP</li> <li>• Date and time support using Network Time Protocol (NTP)</li> <li>• Uniform Resource Identifier (URI) dialing</li> <li>• IPv4 Dynamic Host Configuration Protocol (DHCP)</li> <li>• IPv6 (both static and stateless address auto-configuration)</li> <li>• HTTP(S) proxy support (for signaling, not media)</li> <li>• Inspecting Transport Layer Security (TLS) proxy supported</li> <li>• Cisco Discovery Protocol (CDP)</li> <li>• 802.1X network authentication</li> <li>• 802.1Q Virtual LAN</li> <li>• 802.1p [QoS and Class of Service (CoS)]</li> <li>• Cisco Media Assure and ClearPath, including packet loss-based downspeeding</li> </ul>
<p><b>Call control</b></p>	<ul style="list-style-type: none"> <li>• Native registration on Cisco Unified Communications Manager (CUCM)</li> <li>• Requires CUCM version 12.5 or later with device pack for Room Kit EQ/EQX</li> <li>• Native registration with Cisco Expressway</li> <li>• Webex</li> <li>• Third-party H.323 Gatekeepers and standards-based SIP proxies</li> </ul>
<p><b>IPv6 network support</b></p>	<ul style="list-style-type: none"> <li>• Single call stack support for both H.323 and SIP</li> <li>• Dual-stack IPv4 and IPv6 for DHCP, SSH, HTTP, HTTPS, DNS, DiffServ</li> <li>• Support for both static and automatic IP configuration (stateless address auto configuration)</li> </ul>

Table 2. Product specifications

SPECIFICATION	DESCRIPTION
<h3>Security features</h3>	<ul style="list-style-type: none"> <li>Secure management using HTTPS and SSH protocols</li> <li>End-to-end encryption for calls and meetings on Webex</li> <li>Standards-based media encryption on all back-ends (Secure Real-time Transport Protocol [SRTP], using AES-128-GCM or AES-256-GCM)</li> <li>WPA3™ and WPA3-Enterprise with CCMP128 Wi-Fi® security</li> <li>Password protection to access administration available on Room Navigator controller</li> <li>Network settings protection</li> </ul>
<h3>Certificate management</h3>	<ul style="list-style-type: none"> <li>The device comes with a manufacturer installed certificate (MIC) signed by Cisco’s manufacturing CA which can be used for Certificate Authority Proxy Function (CAPF) for secure onboarding to Cisco UCM</li> <li>Option for users to install certificates with matching private keys for services such as IEEE802.1x, Wi-Fi, HTTPS server and SIP-TLS</li> <li>Support for all regular certificate types and key sizes. The device comes with a pre-installed list of CAs (Certificate Authorities) that is vetted by Cisco and updated regularly. You can add or remove certificates from this list if desired. The CA list is used for outbound HTTPS and other TLS connections</li> </ul>
<h3>Network interfaces (Codec EQ)</h3>	<ul style="list-style-type: none"> <li>Ethernet (RJ-45) 10/100/1000 for LAN</li> <li>4x PoE++ (802.3.bt) Ethernet (RJ-45) 10/100/1000 with a total power budget of 90W for             <ul style="list-style-type: none"> <li>Camera control</li> <li>Room Navigator touch controller</li> <li>Audio amplifier</li> <li>AV over IP room peripherals (including the Cisco Table Microphone Pro digital audio peripheral)</li> </ul> </li> <li>Wi-Fi 802.11a/b/g/n/ac/ax 2.4 GHz and 5 GHz also supported for LAN - not available in non-radio versions; Wi-Fi 6E 6GHz TriBand support coming soon</li> <li>2x2 Multiple Input and Multiple Output (MIMO)</li> <li><b>Note:</b> Due to compliance regulations, it is required that 802.11d is enabled in the access point for the product to operate properly within 5725 to 5875 MHz. Using a Wi-Fi connection is a flexible option; however, an Ethernet connection is always preferred for high performance.</li> </ul>

Table 2. Product specifications

SPECIFICATION	DESCRIPTION
<p><b>Other interfaces</b></p>	<ul style="list-style-type: none"> <li>• 4x USB 3.0 ports, 1.5A charging capability per port for external USB microphones, DSP, keyboard, headset, and future integrations</li> <li>• Micro USB port</li> <li>• Factory reset pinhole</li> <li>• Bluetooth® 5.2 and Bluetooth® Low Energy *</li> </ul>
<p><b>USB-C Passthrough</b></p>	<ul style="list-style-type: none"> <li>• Ability to provide camera, microphone, and speakers over one USB-C cable to a connected computer</li> <li>• Extension of display (3840 x 2160 at 60 fps) (computer must support Alt-mode Display Port)</li> <li>• USB-C passthrough and content sharing with the same cable</li> <li>• USB-C support up to 3840 x 2160 at 30 fps</li> </ul>
<p><b>Sensors</b></p>	<ul style="list-style-type: none"> <li>• Presence sensor powered by ultrasound technology embedded into the video device</li> <li>• Environmental sensors measuring temperature, humidity, air quality and other room conditions included in the Room Navigator control panel (please consult the Cisco Room Navigator datasheet for more information)</li> </ul>
<p><b>Power supply</b></p>	<ul style="list-style-type: none"> <li>• Input Rating Power, 100-240 VAC, 50-60 Hz</li> <li>• Quad Camera must be used with power supply FSP FSP070-AHAN2. Included in the solution.</li> <li>• Amplifier must be used with power supply FSP model FSP270-RAAN3. Included in the solution.</li> </ul>
<p><b>Power Consumption</b></p>	<p>Sum of the power consumption of Codec EQ, Quad Camera, Room Navigator and the audio system in Room Kit EQX:</p> <ul style="list-style-type: none"> <li>• In Call: 150.9 W</li> <li>• Idle: 68.8 W</li> <li>• Half wake: 67.9 W</li> <li>• Standby: 61.5 W</li> <li>• Configurable for office hours mode, forcing the device into standby mode outside of the preset office hours and to half-wake mode at the beginning of the working hours</li> </ul>
<p><b>Operating temperature and humidity</b></p>	<ul style="list-style-type: none"> <li>• 0°C to 35°C (32°F to 95°F) ambient temperature</li> <li>• 10% to 90% Relative Humidity (RH)</li> </ul>

Table 2. Product specifications

SPECIFICATION	DESCRIPTION
<p><b>Storage and transport temperature</b></p>	<ul style="list-style-type: none"> <li>• -20°C to 60°C (-4°F to 140°F) at RH 10% to 90% (noncondensing)</li> </ul>
<p><b>Screen compatibility</b></p>	<ul style="list-style-type: none"> <li>• Compatible with screens from 65" to 75" in the main module, and supports a third extra screen</li> <li>• HDMI interface CEC 2.0</li> <li>• Recommended minimum resolution of 3840 x 2160 at 60 fps</li> <li>• 2 x VESA Mounts, 400 vertical and 400–600 horizontal adjustment</li> <li>• Up to 42 kg weight per screen with floor stand configuration</li> <li>• Up to 50 kg weight per screen with wall-mount and wall-stand configuration</li> <li>• Screens require their own power outlet</li> <li>• Max thickness of screens: 75mm (3 in). Please note the thickness of the displays can exceed this limit but requires the screens to be mounted lower to avoid blocking the camera field of view.</li> <li>• Thicker screens may interfere with the camera FOV</li> </ul>
<p><b>Language support</b></p>	<ul style="list-style-type: none"> <li>• Arabic, Czech, Danish, German, US English, UK English, Catalanian, Spanish, Latin-American Spanish, Finnish, French, Canadian French, Hebrew, Hungarian, Italian, Japanese, Korean, Dutch, Norwegian, Polish, Brazilian Portuguese, Portuguese, Russian, Swedish, Turkish, Chinese (Simplified), Traditional Chinese, Ukrainian</li> </ul>
<p><b>Standards and regulatory compliance</b></p>	<ul style="list-style-type: none"> <li>• Directive 2014/53/EU (Radio Equipment Directive) for the radio versions</li> <li>• Directive 2014/30/EU (EMC Directive) for the non-radio versions</li> <li>• Directive 2014/35/EU (Low-Voltage Directive) for the non-radio versions</li> <li>• Directive 2011/65/EU (RoHS)</li> <li>• Directive 2012/19/EU (WEEE)</li> <li>• NRTL approved (product safety)</li> <li>• FCC CFR 47 Part 15B (EMC) – Class A</li> <li>• FCC CFR 47 Part 15C (RF)</li> <li>• FCC CFR 47 Part 15E (RF)</li> <li>• FCC listed (radio equipment)</li> </ul> <p>Please check the Product Approval Status Database at <a href="http://www.ciscofax.com/">www.ciscofax.com/</a> for approval documents per country.</p>

Table 2. Product specifications

SPECIFICATION	DESCRIPTION
<p><b>Sustainability</b></p>	<ul style="list-style-type: none"> <li>• Circular design principles applied for product architecture, materials, and packaging</li> <li>• Reduced foam in the boxes and 100% recyclable packaging design and a reduced amount of single-use plastics</li> <li>• 100% Post-Consumer Recycled (PCR) plastic originating from end-of-life devices and old electronics used in the front speaker grille</li> <li>• The video system is modular and upgradeable. It's manufactured with more sustainable, consciously chosen materials and is designed for easy repair, refurbishing, and recycling to extend the lifecycle of the product.</li> <li>• Using built-in presence sensors and environmental sensors in the touch panel, it can provide real-time and historic occupancy metrics to control and optimize the workspace</li> <li>• Cisco's takeback and reuse program enables you to return your end-of-use devices for free, via a simple, secure, and sustainable process.</li> <li>• <a href="#">Learn more</a> about how Cisco supports the Circular Economy.</li> </ul>

---

\* The Bluetooth® word mark and logos are registered trademarks owned by Bluetooth SIG, Inc., and any use of such marks by Cisco Systems, Inc., is under license. Other trademarks and trade names are those of their respective owners.

# Product dimensions

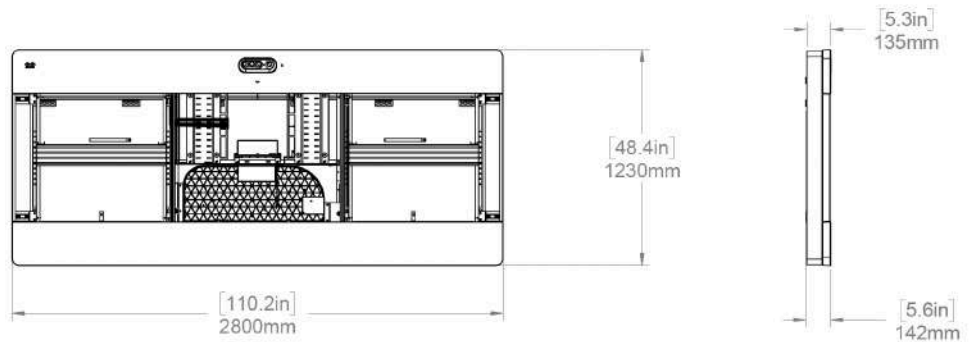
Table 3. Product dimensions

CONFIGURATION	DIMENSIONS
---------------	------------

## Wall-mount version (without screens)

- Height: 1230mm (48.4 in)
- Length, 2800mm (110 in)
- Width, 142mm (5.6 in)
- Weight 120 kg (without screens)

### Wall mount - no displays



## Floor-stand version (without screens)

- Height: 1910mm (75.2 in)
- Length: 2800mm (110 in)
- Width: 924mm (36.4 in)
- Weight 172 kg (without screens)

### Floor stand - no displays

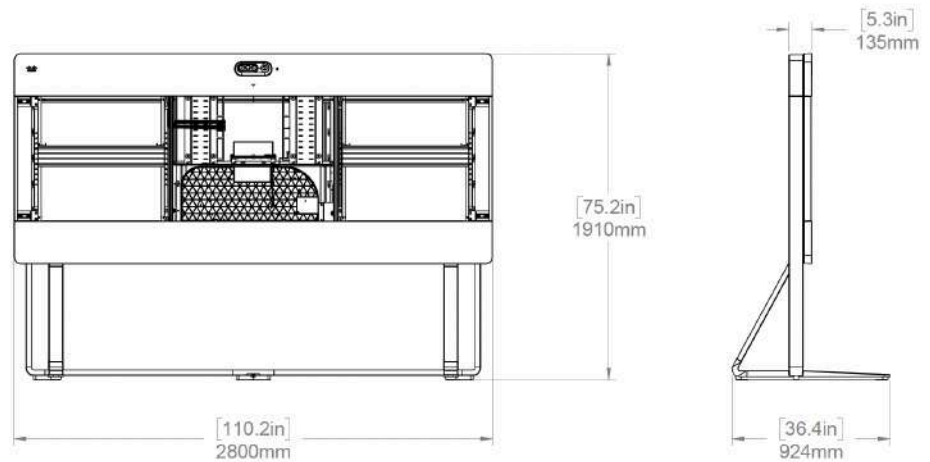


Table 3. Product dimensions

CONFIGURATION	DIMENSIONS
---------------	------------

**Wall-stand version  
(without screens)**

- Height: 1890mm (74.4 in)
- Length: 2800mm (110 in)
- Width: 142mm (5.6 in)
- Weight 135 kg (without screens)

**Wall stand - no displays**

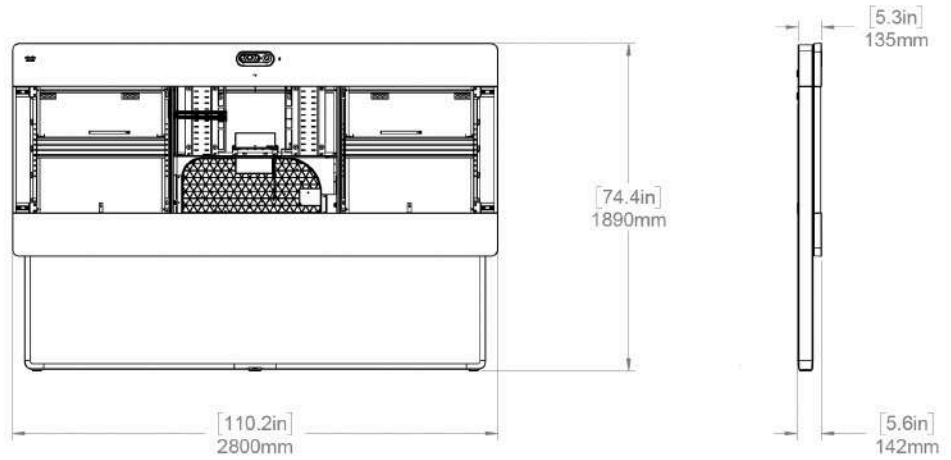


Table 3. Product dimensions

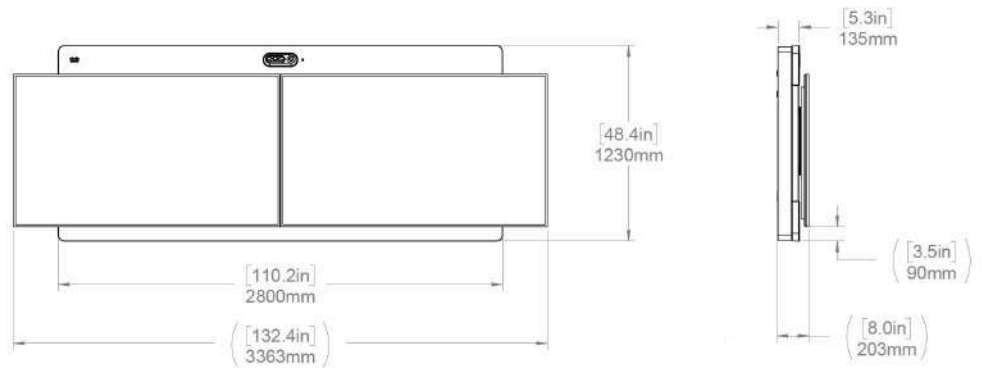
CONFIGURATION	DIMENSIONS
---------------	------------

**Wall-mount version with screens**

- Approximate for 75" screens
- Height: 1230 mm (48.4 in)
  - Length: 3363 mm (132.4 in)
  - Width 203 mm (8 in)

- Approximate for 65" screens
- Height: 1230 mm
  - Length, 2940mm
  - Width: 240mm,

**Wall mount - 75" displays**



\*Approximate dimensions with screens, final dimensions will depend on screen model

**Wall mount - 65" displays**

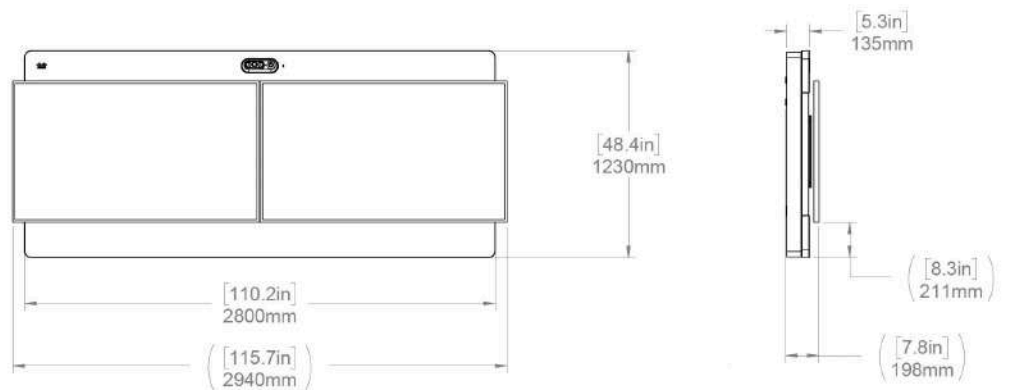




Table 3. Product dimensions

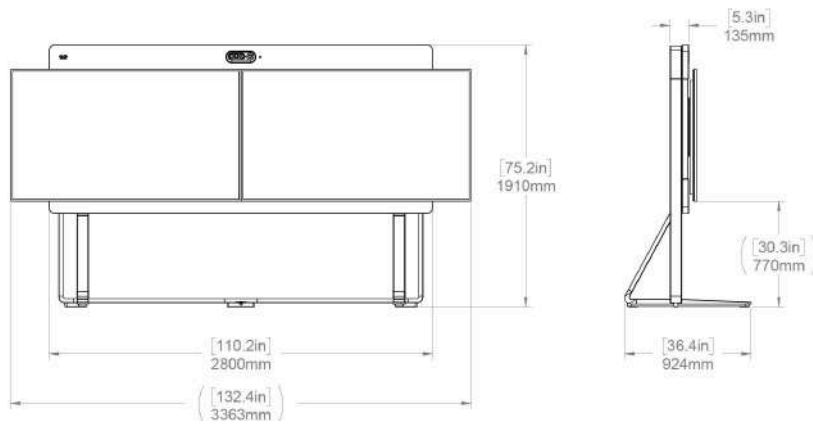
CONFIGURATION	DIMENSIONS
---------------	------------

**Floor-stand version with screens**

- Approximate for 75" screens
- Height: 1910 mm (75.2 in)
  - Length: 3363 mm (132.4 in)
  - Width 924 mm (36.4 in)

- Approximate for 65" screens
- Height: 1230 mm
  - Length, 2940mm
  - Width: 240mm,

Floor stand - 75" displays



\*Approximate dimensions with screens, final dimensions will depend on screen model

Floor stand - 65" displays

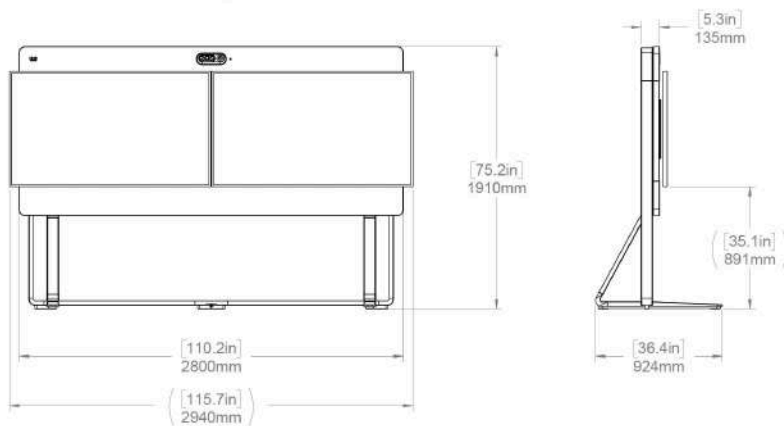


Table 3. Product dimensions

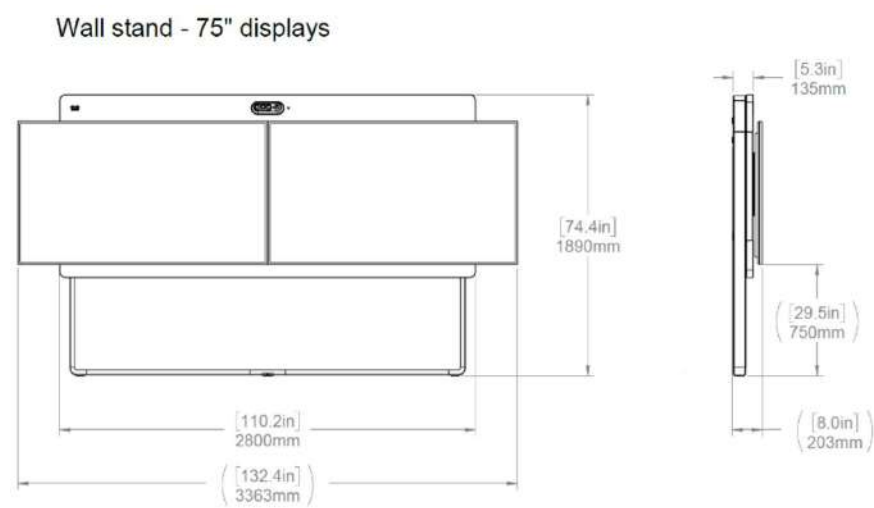
CONFIGURATION	DIMENSIONS
---------------	------------

**Wall-stand version with screens**

- Approximate for 75" screens
- Height: 1890 mm (74.4 in)
  - Length: 3363 mm (132.4 in)
  - Width 203 mm (8 in)

- Approximate for 65" screens
- Height: 1890 mm (74.4 in)
  - Length, 2940 mm (116 in)
  - Width 203 mm (8 in)

**Wall stand - 75" displays**



\*Approximate dimensions with screens, final dimensions will depend on screen model

**Wall stand - 65" displays**

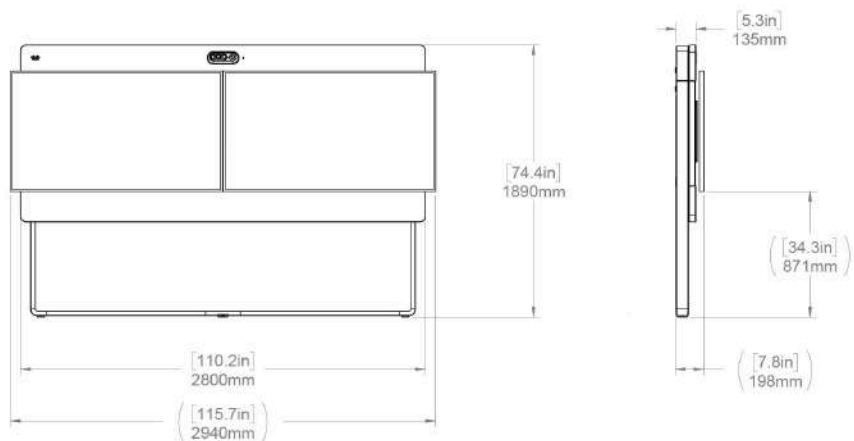


Table 3. Product dimensions

CONFIGURATION	DIMENSIONS
<p><b>Packaging dimensions</b></p>	<p>Wall Mount package:                      Box dimensions: 1650mm (66 in) x 1250mm (48 in) x 1000mm (40 in)</p> <p>Wall Stand package:                      Box dimensions: 1652x659x219mm                      Weight 28kg</p> <p>Floor stand package 1 (floor stand kit):                      Box dimensions: 1652x971x226mm                      Weight : 45Kg</p> <p>Floor stand package 2 (rear panels):                      Box dimensions: 1446x1089x320mm                      Weight : 20kgs</p>

# Feature availability matrix

**Table 4.** Feature availability matrix for Cisco Room Kit EQX

FEATURE	RoomOS	MICROSOFT TEAMS ROOMS (WITH REGISTRATION TO CONTROL HUB)	MICROSOFT TEAMS ROOMS
Native Microsoft Teams Rooms meeting experience	No	Yes	Yes
Native Webex meeting experience	Yes	Yes, via One-Button-to-Push meeting join	No
Microsoft Teams Meetings with VIMT (CVI) or WebRTC / Direct Guest Join	Yes	N/A	N/A
Google Meet interop (WebRTC)	Yes	No	No
Zoom Meetings interop	Yes, feature-rich SIP meetings	Yes, WebRTC-based meetings	Yes, WebRTC- based meetings
Video standards supported	H.264 AVC, H.265 H.263	H.264 AVC	H.264 AVC
Standards-based video interop (SIP/H.323 dialing)	Yes	No	No
Content share resolution	In active meeting: up to 3840 x 2160 at 15 fps Outside of active meeting: up to 3840 x 2160 at 30 fps	In active meeting: up to 1920 x 1080 at 15 fps Outside of active meeting: up to 1920 x 1080 at 30 fps	In active meeting: up to 1920 x 1080 at 15 fps Outside active meeting: up to 1920 x 1080 at 30 fps
Simultaneous content sources for local presentation (outside video meeting)	3	1	1

**Table 4.** Feature availability matrix for Cisco Room Kit EQX

FEATURE	RoomOS	MICROSOFT TEAMS ROOMS (WITH REGISTRATION TO CONTROL HUB)	MICROSOFT TEAMS ROOMS
<b>Wireless sharing options</b>	Webex App, Miracast, Apple AirPlay	Microsoft Teams Sharing, Miracast	Microsoft Teams Sharing, Miracast
<b>Multi-camera support</b>	Yes	Yes	Yes
<b>Triple-screen support for live video and content</b>	Yes	No	No
<b>Presenter tracking</b>	Yes	Yes	Yes
<b>USB Passthrough</b>	Yes	Yes	Yes
<b>People Focus intelligent layout composition</b>	Yes, in Webex meetings	In native Webex meetings only	No
<b>Frames camera mode for individual participant views</b>	Yes	Yes	Yes
<b>AI noise removal</b>	Yes	Yes	Yes
<b>Deployment options</b>	On premises, cloud, hybrid	Cloud only	Cloud only
<b>Voice assistant</b>	Webex Assistant	No	No
<b>Enterprise calling</b>	Webex Calling / UCM	Teams Calling	Teams Calling
<b>Cloud device management</b>	Control Hub	Teams Admin Center & Control Hub	Teams Admin Center

**Table 4.** Feature availability matrix for Cisco Room Bar Pro EQX

FEATURE	RoomOS	MICROSOFT TEAMS ROOMS (WITH REGISTRATION TO CONTROL HUB)	MICROSOFT TEAMS ROOMS
<b>Room booking</b>	Hybrid Calendar + Room Navigator touch panel	Microsoft Teams Calendar + Room Navigator touch panel as Teams Panel	Microsoft Teams Calendar + Room Navigator touch panel as Teams Panel
<b>Conference controls</b>	Hybrid Calendar + Room Navigator touch panel	Microsoft Teams Calendar + Room Navigator touch panel as MTR Touch Console	Microsoft Teams Calendar+ Room Navigator touch panel as MTR Touch Console
<b>Native, third-party web apps</b>	Yes	No	No
<b>Digital signage</b>	Yes	No	No
<b>Custom controls with Macros and User Interface extensions</b>	Yes	No	No
<b>Customized branding (logos, wallpaper)</b>	Yes	No	No
<b>Workplace analytics in Control Hub with APIs</b>	Yes	Yes	No
<b>Multi-tenant device management, bulk configuration and automated software upgrades</b>	Yes	Yes	No
<b>Network-level diagnostics and observability</b>	Yes (with Cisco ThousandEyes)	Yes (with Cisco ThousandEyes)	No

# Ordering information

To place an order, contact your local Cisco representative and refer to the table below.

**Table 5.** Ordering information

PRODUCT NAME	PART NUMBER	COMPLIANCE MODEL NUMBER
<b>Cisco Room Kit EQX</b>		
<ul style="list-style-type: none"> <li>Cisco Room Kit EQX, Carbon Black</li> </ul>	CS-KIT-EQX-C-K9	TTC60-34
<ul style="list-style-type: none"> <li>Cisco Room Kit EQX, No Radio, Carbon Black</li> </ul>	CS-KIT-EQX-C-NR-K9	TTC60-34
<b>Cisco Room Kit EQX – TAA</b>		
<ul style="list-style-type: none"> <li>Cisco Room Kit EQX, TAA, Carbon Black</li> </ul>	CS-KIT-EQX-C-K9++	TTC60-34
<ul style="list-style-type: none"> <li>Cisco Room Kit EQX, No Radio, TAA, Carbon Black</li> </ul>	CS-KIT-EQX-CN RK9++	TTC60-34
<b>Cisco Room Kit EQX – No Codec</b>		
<ul style="list-style-type: none"> <li>Cisco Room Kit EQX, No Codec, Carbon Black*</li> </ul>	CS-EQX-NOCODEC-C	TTC60-34
<b>Cisco Room Kit EQX – Customized</b>		
<ul style="list-style-type: none"> <li>Cisco Room Kit EQX, Customized Version, Carbon Black</li> </ul>	CS-KIT-EQX-C-K9--	TTC60-34
<ul style="list-style-type: none"> <li>Cisco Room Kit EQX, No Radio, Customized Version, Carbon Black</li> </ul>	CS-KIT-EQX-C-NR-K9--	TTC60-34
<b>Mounting options</b>		
<ul style="list-style-type: none"> <li>Cisco Room Kit EQX Wall Mount, Carbon Black</li> </ul>	CS-KIT-EQX-WMK-C	
<ul style="list-style-type: none"> <li>Cisco Room Kit EQX Wall Stand, Carbon Black</li> </ul>	CS-KIT-EQX-WSK-C	
<ul style="list-style-type: none"> <li>Cisco Room Kit EQX Floor Stand, Carbon Black**</li> </ul>	CS-KIT-EQX-FSK-C	

\* Limited regional availability

\*\* Coming soon

Table 5. Ordering information

PRODUCT NAME	PART NUMBER	COMPLIANCE MODEL NUMBER
<b>Options</b>		
Cisco Room Navigator table-stand touch controller	CS-T10-TS-L-K9	TTC5-15
Cisco Room Navigator wall-mount touch controller	CS-T10-WM-L-K9	TTC5-15
Cisco PTZ 4K Camera	CS-CAM-PTZ4K or CS-CAM-PTZ4K-IND	EVI-X200C
Mounting bracket for PTZ 4K Camera	CS-PTZ4K-BRKT	
Ceiling-mount bracket for PTZ 4K Camera	CS-PTZ4K-CLNGMNT	
Cisco Precision 60 Camera	CTS-CAM-P60=	TTC8-07
Power supply for Precision 60 Camera	PSU-12VDC-70W-GR=	
Cisco Table Microphone with 4-pin mini jack connector, 7.5 meters cable	CS-MIC-TABLE-J	
Cisco Table Microphone extension cable for the 4-pin mini jack cables, 9 meters	CAB-MIC-EXT-J	
Cisco Ceiling Microphone	CTS-MIC-CLNG-G2	
Shielded cable for Ceiling Mic (non- plenum rated)	CAB-ETHRSHLD-10M	
Cisco Table Microphone Pro	CS-MIC-ARRAY-T	TTC5-17



Table 5. Ordering information

PRODUCT NAME	PART NUMBER	COMPLIANCE MODEL NUMBER
Cisco Multi-head Cable 9 meters (4K, USB-C, HDMI, miniDP)	CAB-HDMI-MUL4K-9M	
Active Optical Cable, USB-C 3.1, 9 meters	CAB-USBC-AC-9M	
USB-C - USB-C cable, 1.8 meters long, USB charging	CAB-USBC-1.8M	
Cisco Multi-head Cable 2.5 meters (4K, USB-C, HDMI, miniDP)	CAB-HDMI-MUL4K-2M	
Presentation cable 8 m/26 ft GREY HDMI 1.4b (W/ REPEATER)	CAB-PRES-2HDMI-GR	
HDMI 2.0 cable 1.5 m/5 ft, gray	CAB-2HDMI-1.5M-GR	
HDMI 2.0 cable 3 m/10 ft, gray	CAB-2HDMI-3M-GR	
<b>Software options - ordered separately</b>		
Remote Monitoring	L-ROOM-RM (L-TP-RM)	
MultiSite (embedded multipoint)	L-KITEQ-MS (L-ROOM-PAK)	
AV integrator pack	L-KITEQ-AV (L-ROOM-PAK)	

Table 5. Ordering information

PRODUCT NAME	PART NUMBER	COMPLIANCE MODEL NUMBER
<b>Spare Parts</b>		
Cisco PTZ 4K Camera	CS-CAM-PTZ4K= or CS-CAM-PTZ4K-IND=	EVI-X200C
Cisco Codec EQ Spare	CS-CODEC-EQ=	TTC6-15
Cisco Codec EQ No Radio Spare	CS-CODEC-EQ-NR=	TTC6-15
Cisco Room Navigator table-stand touch controller	CS-T10-TS-L-K9=	TTC5-15
Cisco Room Navigator wall-mount touch controller	CS-T10-WM-L-K9=	TTC5-15
Power supply 12VDC 70W.	PSU-12VDC-70W-GR=	
Cisco Table Microphone mini jack	CS-MIC-TABLE-J=	
Extension cable for Table Mic (9m/29ft) with Jack plug	CAB-MIC-EXT-J=	
Cisco Microphone Array for table	CS-MIC-ARRAY-T=	
Top speaker for Room Panorama and Room Kit EQX	CS-PANO-SPKR=	
Power supply 12VDC 70W.	CAB-HDMI-MUL4K-2M	
Cisco Codec EQ unit Spare	CS-CODEC-EQ=	
Cisco Codec EQ unit No Radio Spare	CS-CODEC-EQ-NR=	

Table 5. Ordering information

PRODUCT NAME	PART NUMBER	COMPLIANCE MODEL NUMBER
<b>Spare Parts</b>		
<b>Bass unit for Room Panorama and Room Kit EQX</b>	CS-PANO-BASS=	
<b>Room Kit EQX 2 fan pack</b>	CS-EQX-FAN=	
<b>Room Kit EQX antenna kit (includes 3x antennae + cables)</b>	CS-EQX-ANT=	
<b>Room Kit EQX center module</b>	CS-EQX-CENTER-MOD=	
<b>Room Kit EQX side module</b>	CS-EQX-SIDE-MOD=	
<b>Room Kit EQX front frame module - Carbon Black</b>	CS-EQX-FRAME-C=	
<b>Room Kit EQX VESA bracket for screens between 65" and 75"</b>	CS-EQX-VESA=	
<b>Cisco Room Kit EQX Wall Mount Carbon Black</b>	CS-KIT-EQX-WMK-C=	
<b>Cisco Room Kit EQX Floor Stand Carbon Black</b>	CS-KIT-EQX-FSK-C=	
<b>Cisco Room Kit EQX Wall Stand Carbon Black</b>	CS-KIT-EQX-WSK-C=	

Table 5. Ordering information

PRODUCT NAME	PART NUMBER	COMPLIANCE MODEL NUMBER
<b>Spare Parts</b>		
Cisco Room Kit EQX Screw set Wall Mount Kit	CS-EQX-WMK-SCRW=	
Cisco Room Kit EQX Screw set Floor Stand Kit	CS-EQX-FSK-SCRW=	
Cisco Room Kit EQX Screw set Wall Stand Kit	CS-EQX-WSK-SCRW=	
Cisco Room Kit EQX Screw set main unit	CS-EQX-UNIT-SCRW=	
Power supply - AC/DC, 12V, 120W	PSU-12VDC-120W=	
Power supply - AC/DC, 24V, 270W	PSU-24VDC-270W=	
Power strip 1x C14 Inlet, 4x Outlet F	CS-PWR-STRIP4=	
Power Jumper, C13 to C14, 10A, 3m	PWR-CAB-INT-3.0M=	
Power Jumper, C13 to C14, 10A, 0.22m	PWR-CAB-INT-0.22M=	
CAB (16,4 feet / 5m) GREY ETHERNET	CAB-ETH-5M-GR=	
1.5m GREY HDMI 2.0	CAB-2HDMI-1.5M-GR=	
CAB 1.5m GREY ETHERNET	CAB-ETH-1.5M-GR=	
12 meter round grey Ethernet cable for Cisco Devices	CAB-CAT5E-12M=	

Table 5. Ordering information

PRODUCT NAME	PART NUMBER	COMPLIANCE MODEL NUMBER
<b>Spare Parts</b>		
<b>Room Kit EQX Complete set of Speaker Cables</b>	CAB-EQX-SPKR=	
<b>Internal Power cable Room Kit EQX - Amp to camera</b>	PWR-CAB-INT-1.45M=	
<b>CABASY,HDMI, 2.06m, GREY</b>	CAB-2HDMI-2.06M=	
<b>CABASY, HDMI, 4m, Grey</b>	CAB-2HDMI-4M-GR=	
<b>Cisco Multi-head Cable 9 meters (4K, USB-C, HDMI, miniDP)</b>	CAB-HDMI-MUL4K-9M=	
<b>Presentation cable 8m/26ft GREY HDMI 1.4b (W/ REPEATER)</b>	CAB-PRES-2HDMI-GR=	
<b>Active Optical Cable, USB-C 3.1, 9m</b>	CAB-USBC-AC-9M=	

## Warranty information

Cisco Room Kit EQX has a 90-day limited liability warranty.

## Cisco environmental sustainability

Information about Cisco’s environmental sustainability policies and initiatives for our products, solutions, operations, and extended operations or supply chain is provided in the “Environment Sustainability” section of Cisco’s [Corporate Social Responsibility](#) (CSR) Report.

Reference links to information about key environmental sustainability topics (mentioned in the “Environment Sustainability” section of the CSR Report) are provided in the following table:

**Table 6.** Cisco Environmental Sustainability Information

SUSTAINABILITY TOPIC		REFERENCE
General	Information on product-material-content laws and regulations	<a href="#">Materials</a>
	Information on electronic waste laws and regulations, including our products, batteries and packaging	<a href="#">WEEE Compliance</a>

Cisco makes the packaging data available for informational purposes only. It may not reflect the most current legal developments, and Cisco does not represent, warrant, or guarantee that it is complete, accurate, or up to date. This information is subject to change without notice. For more information about these services, visit: <https://www.cisco.com/go/collaborationservices>.

## Cisco Service and Support

Cisco and our partners provide a broad portfolio of smart, personalized services and support that can help you realize the full business value of your Cisco collaboration investment by increasing business agility and network availability. This portfolio of services accelerates business innovation by harnessing the network as a powerful business platform.

## Cisco Capital

### Flexible payment solutions to help you achieve your objectives

Cisco Capital makes it easier to get the right technology to achieve your objectives, enable business transformation and help you stay competitive. We can help you reduce the total cost of ownership, conserve capital, and accelerate growth. In more than 100 countries, our flexible payment solutions can help you acquire hardware, software, services and complementary third-party equipment in easy, predictable payments. [Learn more.](#)

December 2023



For more information

Learn more about the [Cisco Room Kit EQX](#)